

# NEW QV MAST SERIES WITH 7000kg capacity

**LIFT-TEK**  
**ELECAR** MASTS  
Lift Technologies 



**LIFT-TEK ELECAR S.p.A.**

Via G. Galilei - 29015 Castel S. Giovanni (PC)

Tel. 0523 843241 – Fax. 0523 881346

## The issue



The Global Market requirements have led to a high demand of storage space inside warehouse buildings as an increasingly greater quantity of goods needs to be stored.

A widespread tendency is to meet this need with a vertically structured development of the warehouse and with decreased available space for maneuver.

**LIFT-TEK**  
**ELECAR** MASTS  
Lift Technologies



**LIFT-TEK ELECAR S.p.A.**

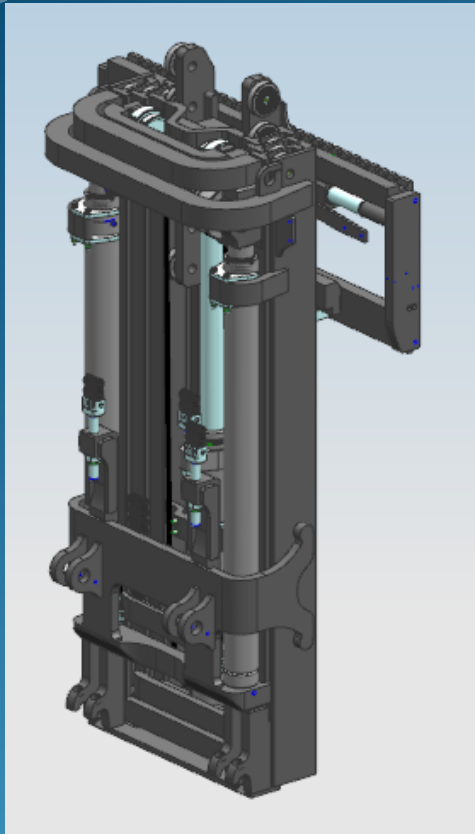
Via G. Galilei - 29015 Castel S. Giovanni (PC)

Tel. 0523 843241 – Fax. 0523 881346

## The solution

Liftek Elecar have always focused the attention and efforts on the market evolution and have added to their masts series developing and designing a quadruplex mast with capacity of 7000kg and with a very small lost load and compact structure.

This satisfies the most demanding requirements in terms of encumbrance and is an ideal solution for high density warehouses with strong vertical development.



**LIFT-TEK**  
**ELECAR** MASTS  
Lift Technologies

 **CALVI** HOLDING S.p.A.

**LIFT-TEK ELECAR S.p.A.**

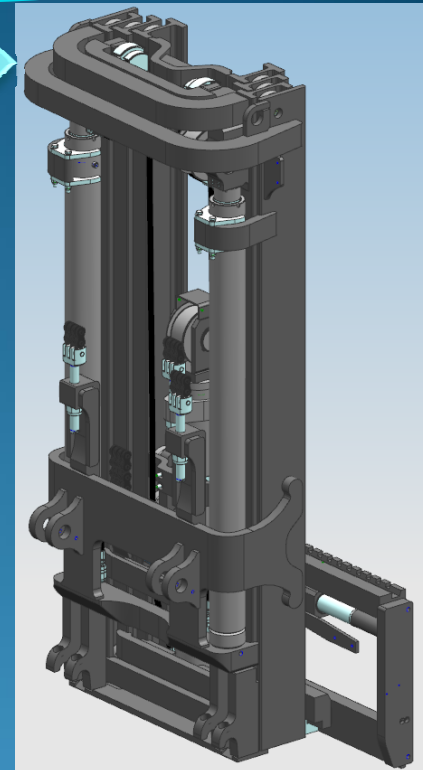
Via G. Galilei - 29015 Castel S. Giovanni (PC)

Tel. 0523 843241 – Fax. 0523 881346

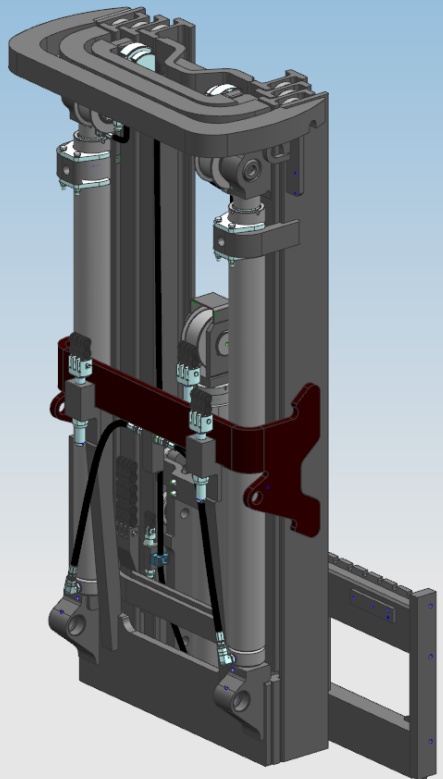
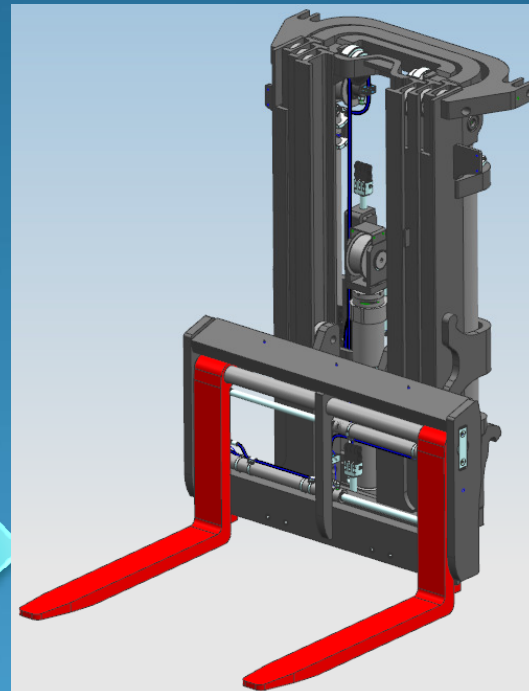
# Examples

These pictures display the Lift-tek Elecar mast series 7000kg capacity QV

Four-stage-mast and free lift + int. integral sideshift



Four-stage-mast and free lift + int. fork positioner



**LIFT-TEK**  
**ELECAR** MASTS  
Lift Technologies

**CALVI** HOLDING S.p.A.

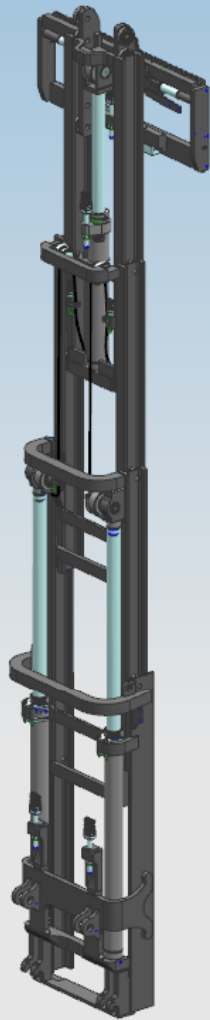
LIFT-TEK ELECAR S.p.A.

Via G. Galilei - 29015 Castel S. Giovanni (PC)

Tel. 0523 843241 – Fax. 0523 881346

## Specification examples

Four-stage-  
mast with free  
lift + integral  
sideshift at  
max. extended  
height



Mast data (H <sub>3</sub> /H <sub>1</sub> )	5926/2456
Mast weight [kg]	2361 kg
Lost load (from bottom mountings C/L to ISS front face) [mm]	468.1 mm
Mast width [mm]	1022 mm
Visibility between channels [mm]	489 mm
Nominal mast capacity [kg @ mm]	7000 kg @ 600 mm
Profiles	PH 3500 / PH 3353

**LIFT-TEK**  
**ELECAR** MASTS  
Lift Technologies

**CALVI** HOLDING S.p.A.

LIFT-TEK ELECAR S.p.A.

Via G. Galilei - 29015 Castel S. Giovanni (PC)

Tel. 0523 843241 – Fax. 0523 881346