



**“Trilateral head”
application
through a perfect
integral solution
between mast and
attachment**

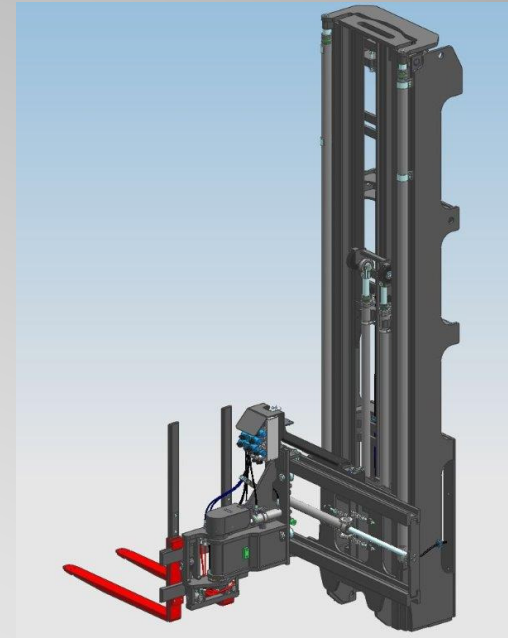
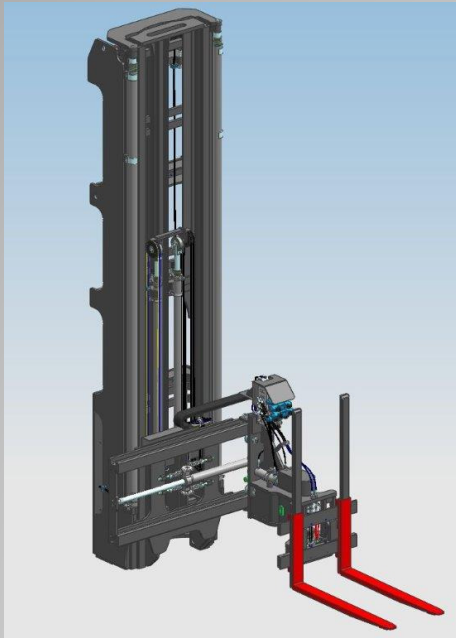


- **LIFT-TEK ELECAR S.p.A.**
- Via G. Galilei - 29015 Castel S. Giovanni (PC)
- Tel. 0523 736001 – Fax. 0523 881346

NEWS



“Integral Trilateral head”



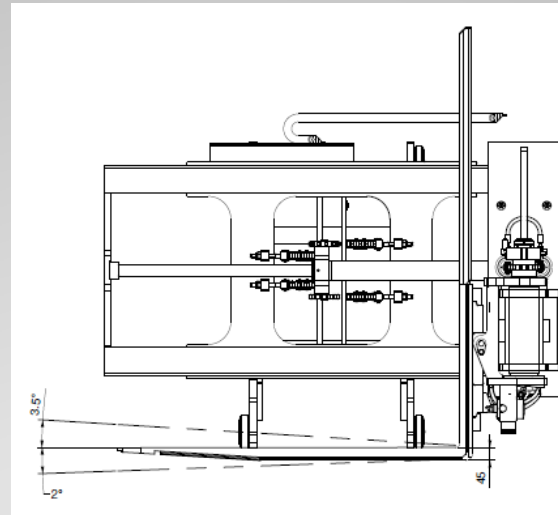
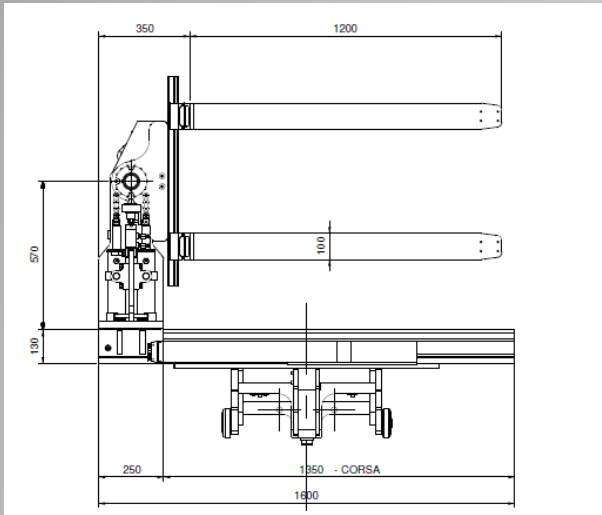
The project development is now accomplished with the introduction of our integral trilateral heads' range. After years of leadership in the perfect lift mast offer, Lift-Tek Elecar is now able to add the full solution in our product portfolio.



- **LIFT-TEK ELECAR S.p.A.**
- Via G. Galilei - 29015 Castel S. Giovanni (PC)
- Tel. 0523 736001 – Fax. 0523 881346



Characteristics



- Excellent compact layout
- Capacity: 1400 kg @ 600 mm
- Capacity (H3=10000): 1000 kg
- Side movement: 1350 mm
- Rotation: 180°
- 3 Key stop points
- Tilting movement
- Forks positioning



- **LIFT-TEK ELECAR S.p.A.**
- Via G. Galilei - 29015 Castel S. Giovanni (PC)
- Tel. 0523 736001 - Fax. 0523 881346



Our strong point is personalization

For any further information please contact us by clicking on:

<http://www.lift-tekelecar.it/contatti/>

Or visit our web site:

<http://www.lift-tekelecar.it>



LIFT-TEK ELECAR S.p.A.

Via G. Galilei - 29015 Castel S. Giovanni (PC)

Tel. 0523 736001 - Fax. 0523 881346

