

NEWS

NEW PRODUCT RANGE FOR AGVs (Automated Guided Vehicles)



LIFT-TEK ELECAR S.p.A.
Via G. Galilei - 29015 Castel S. Giovanni (PC)
Tel. 0523 843241 - Fax. 0523 881346



How they originate?

- from the long time experience in the sector.
- from the steady increasing AGV market share.
- from a close collaboration with the final customer.
- from the direct comparison with the most modern technologies in the automation field.

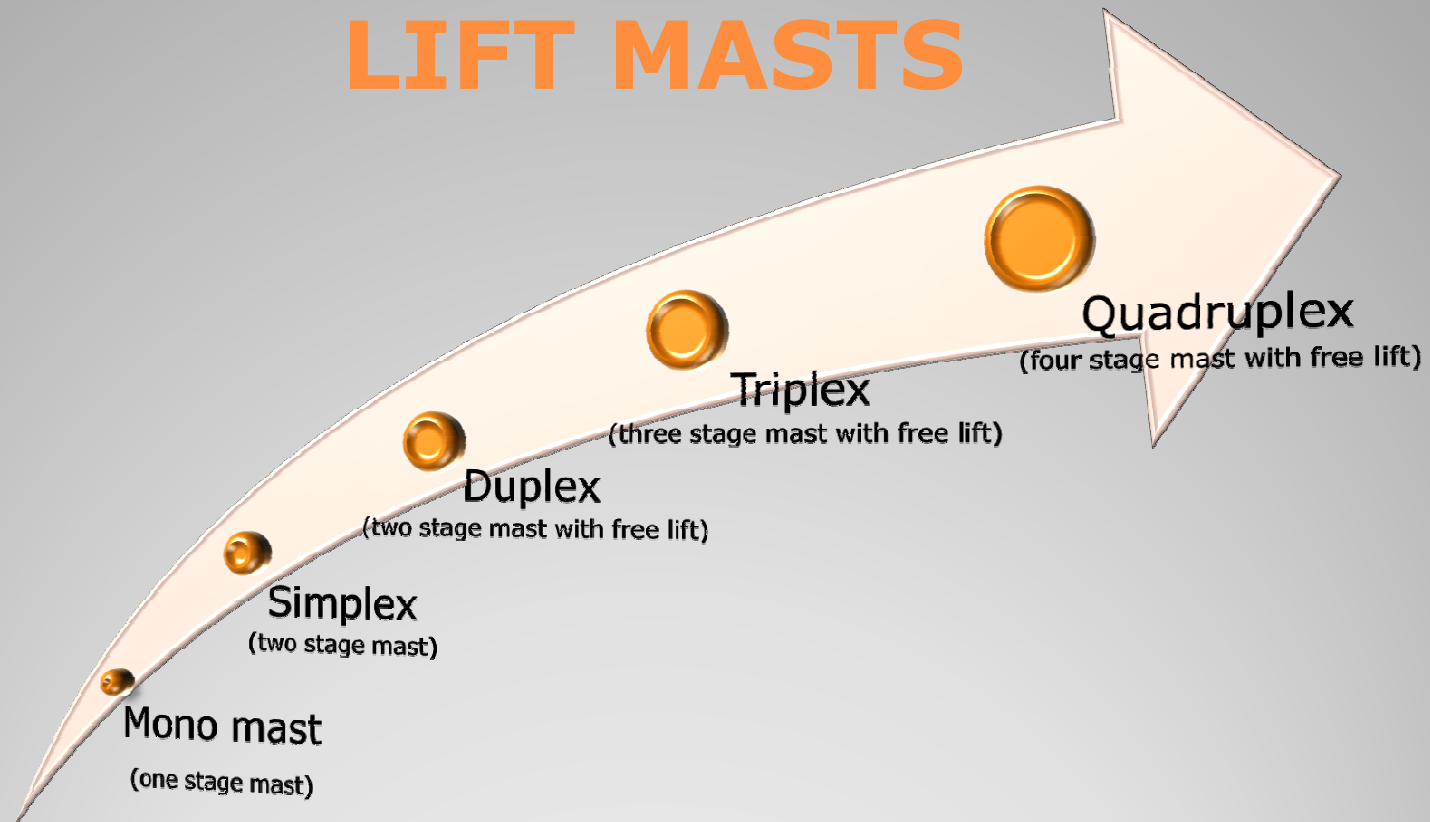
These are the factors, which have enabled us to develop a new generation of masts and attachments for AGV machines, suitable for any type of request, which AGV producers may require.



- **LIFT-TEK ELECAR S.p.A.**
- Via G. Galilei - 29015 Castel S. Giovanni (PC)
- Tel. 0523 843241 – Fax. 0523 881346



LIFT MASTS



- **LIFT-TEK ELECAR S.p.A.**
- Via G. Galilei - 29015 Castel S. Giovanni (PC)
- Tel. 0523 843241 – Fax. 0523 881346





Our wide range of masts for the AGV world are thought to handle loads from 1 to 32 ton starting with 1 Meter up to 12 Meter Lift height.

Beside the standard hydraulic masts, Lift-tek Elecar offers one stage and two stage electric masts, which are ideal for special applications, in which it is essential with absolute non contamination of the environment due to the oil contained in the hydraulic cylinders of the traditional masts.

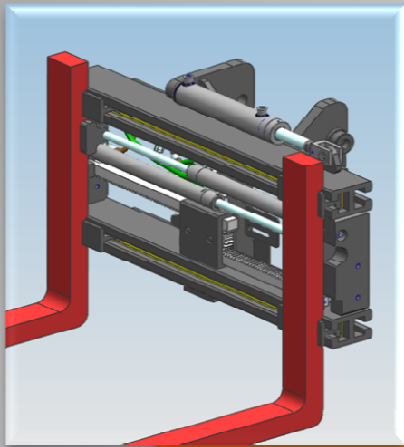


**LIFT-TEK
ELECAR** MASTS
Lift Technologies 

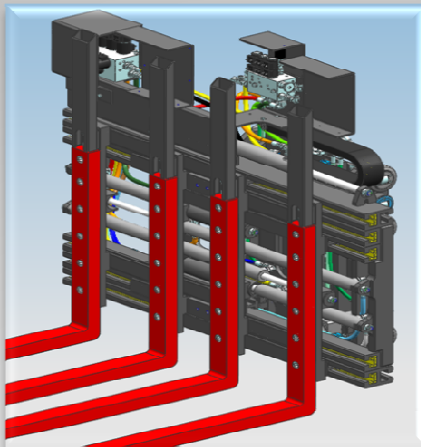
- **LIFT-TEK ELECAR S.p.A.**
- Via G. Galilei - 29015 Castel S. Giovanni (PC)
- Tel. 0523 843241 - Fax. 0523 881346

 **CALVI**HOLDING S.p.A.

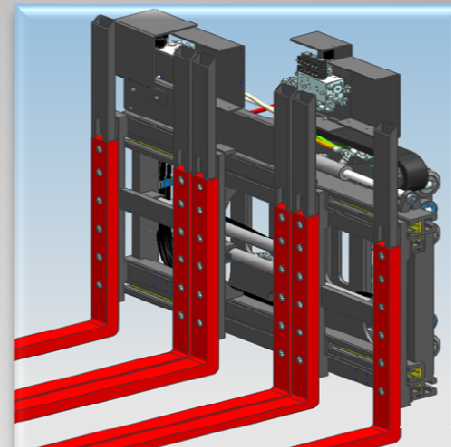
ATTACHMENTS



• Single pallet



• Double pallets



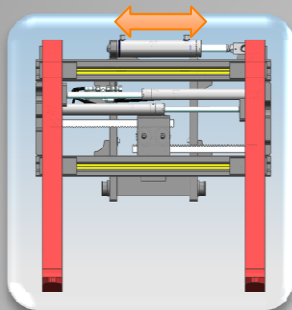
• Triple pallets



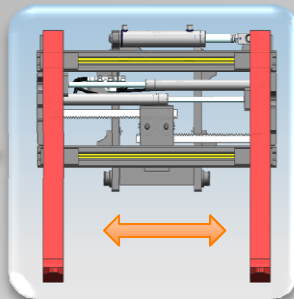
- **LIFT-TEK ELECAR S.p.A.**
- Via G. Galilei - 29015 Castel S. Giovanni (PC)
- Tel. 0523 843241 - Fax. 0523 881346



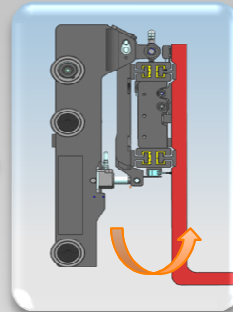
ATTACHMENT FUNCTIONS



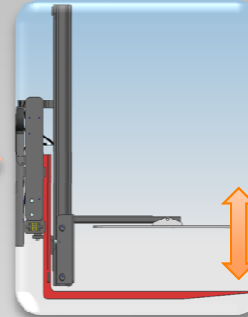
Integral
Sideshift



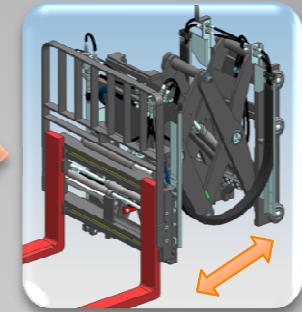
Fork
Positioner
(simultaneous
or independent)



Tilting
movement



Load
stabilizer



Pantograph

The various attachments are available both with hydraulic and electric cylinders upon customer's request.

Our main strength is customised solutions

For any request [please contact us](#) or visit our website :

<http://www.lift-tekelecar.it>



LIFT-TEK ELECAR S.p.A.

Via G. Galilei - 29015 Castel S. Giovanni (PC)

Tel. 0523 843241 – Fax. 0523 881346

