

NEW SERIES OF INTEGRAL SIDESHIFTER AND FORK POSITIONER to suit 8000kg- 10000kg capacity lift truck.

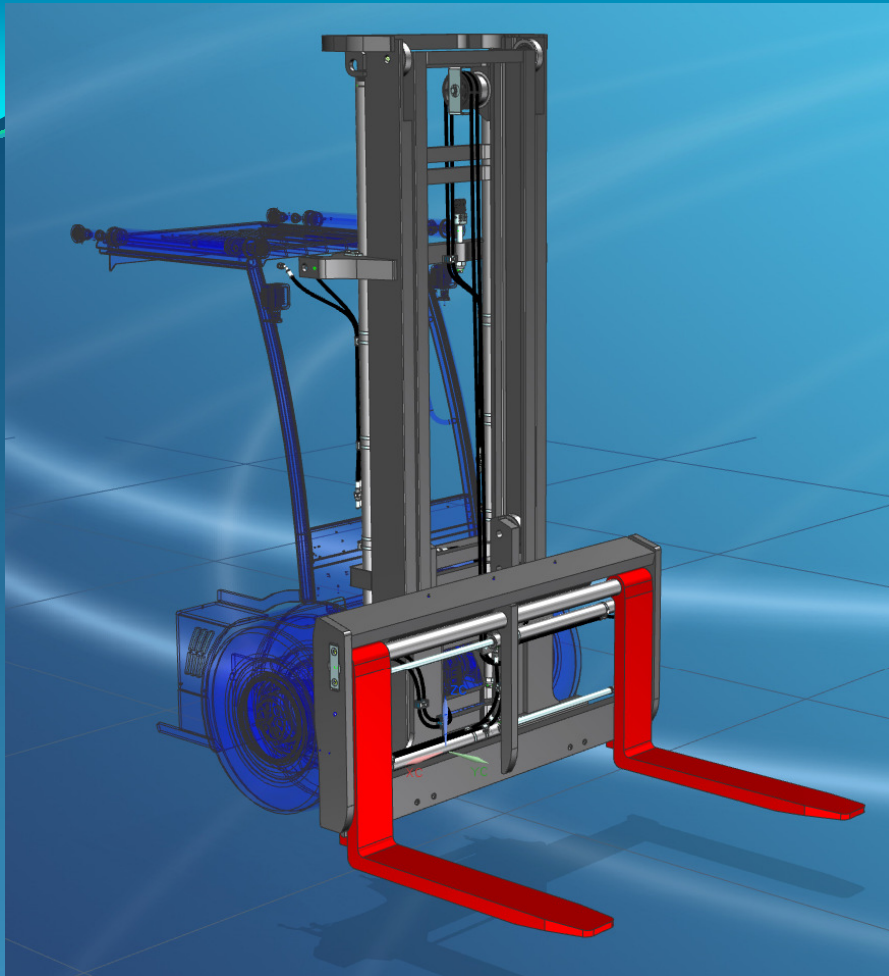
LIFT-TEK
ELECAR MASTS
Lift Technologies 



LIFT-TEK ELECAR S.p.A.

Via G. Galilei - 29015 Castel S. Giovanni (PC)

Tel. 0523 843241 – Fax. 0523 881346



The market demand has led to the need of newly designed integral attachments with a more attractive look, which enable a better visibility by utilising fewer components and obtaining with less obstructions a much better view through the carriage.

LIFT-TEK
ELECAR MASTS
Lift Technologies

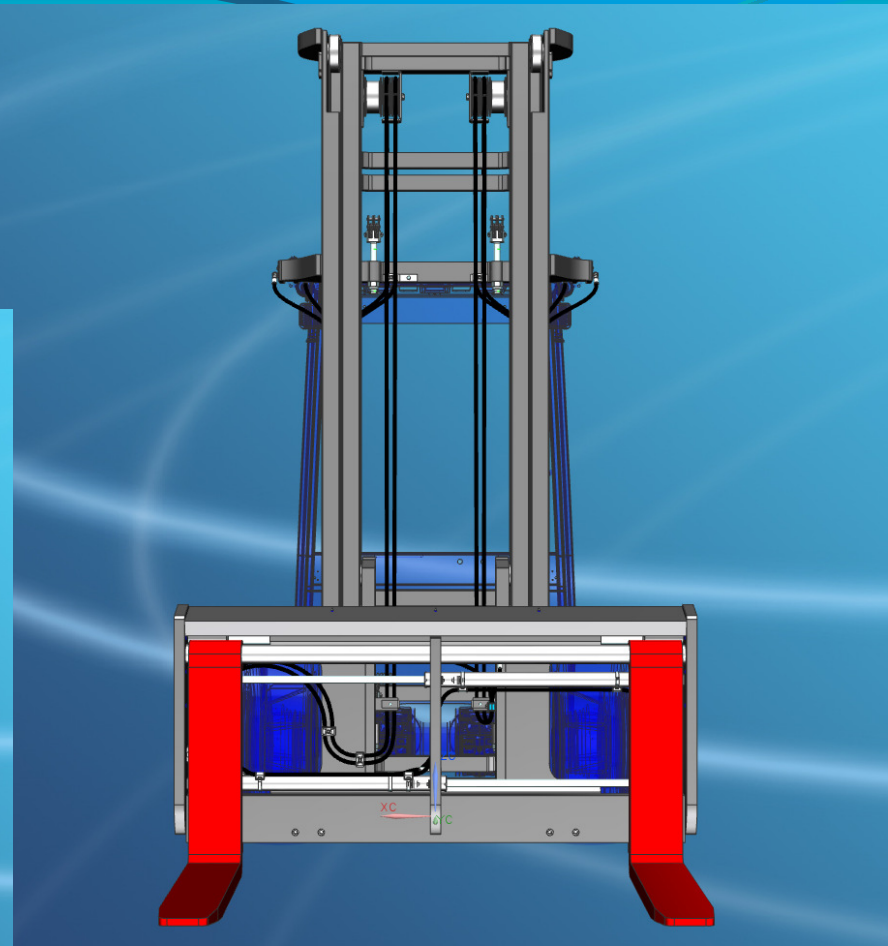
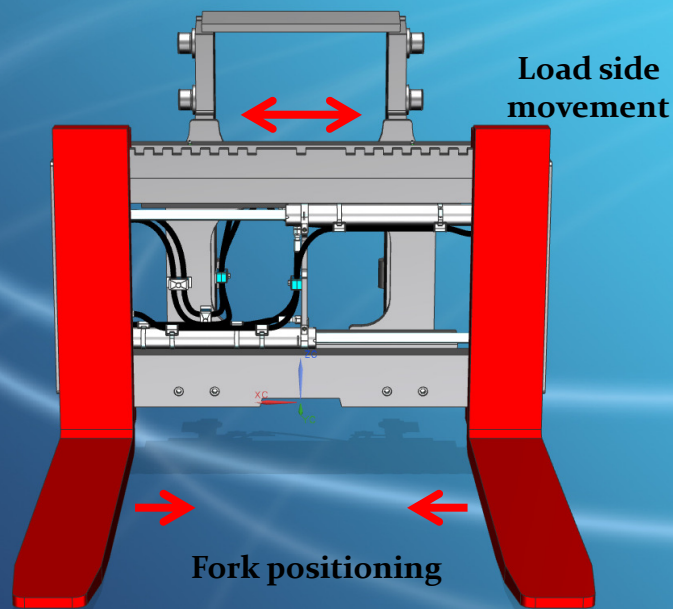


LIFT-TEK ELECAR S.p.A.

Via G. Galilei - 29015 Castel S. Giovanni (PC)

Tel. 0523 843241 – Fax. 0523 881346

Being always attentive to market developments, Liftek Elecar proposes a conceptually new range of attachments, which offer the side movement of the load as well as the fork positioning



LIFT-TEK
ELECAR MASTS
Lift Technologies

CALVI HOLDING S.p.A.

LIFT-TEK ELECAR S.p.A.

Via G. Galilei - 29015 Castel S. Giovanni (PC)

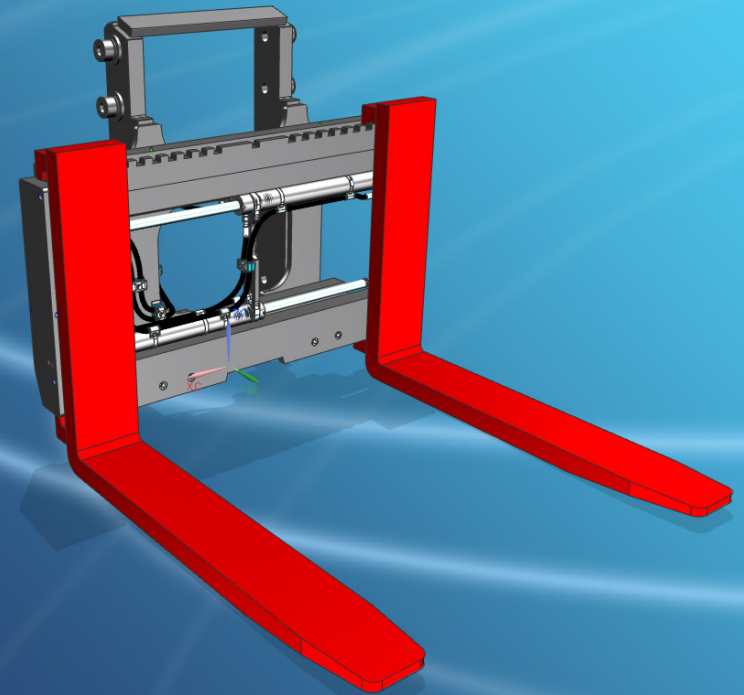
Tel. 0523 843241 – Fax. 0523 881346

CAPACITY: 8000 kg -10000 kg

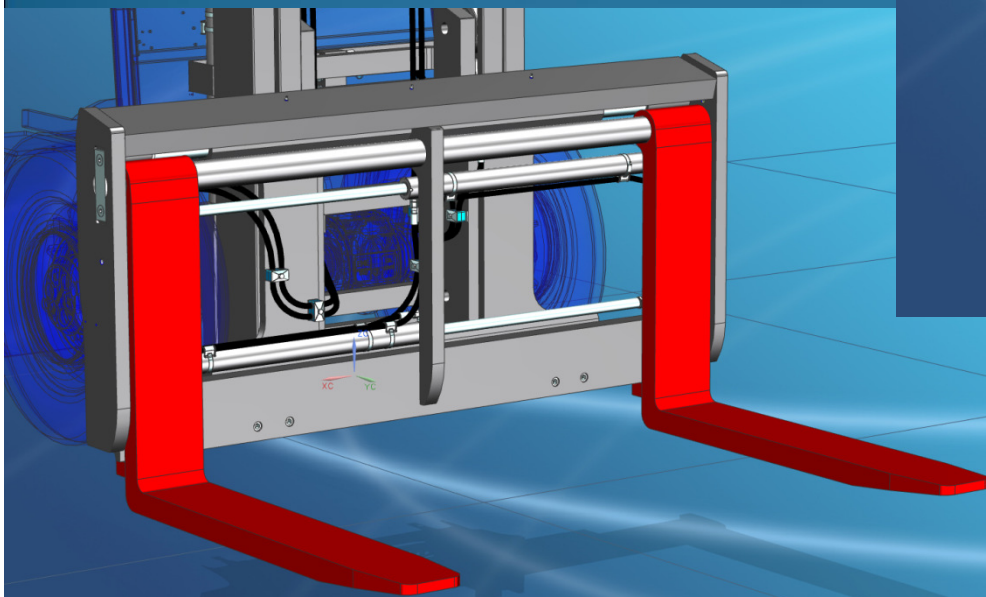
Advantages:

Excellent view through and limited number of visible components exposed to damages

ISO FEM 4 SOLUTION



PIN TYPE SOLUTION



LIFT-TEK
ELECAR MASTS
Lift Technologies

CALVI HOLDING S.p.A.

LIFT-TEK ELECAR S.p.A.

Via G. Galilei - 29015 Castel S. Giovanni (PC)

Tel. 0523 843241 – Fax. 0523 881346