

NEWS

multipallet ATTACHMENT: 3 Pallet handler

LIFT-TEK
ELECAR MASTS
Lift Technologies 

 **CALVI** HOLDING S.p.A.

LIFT-TEK ELECAR S.p.A.

Via G. Galilei - 29015 Castel S. Giovanni (PC)

Tel. 0523 843241 – Fax. 0523 881346

What is the reason for it?

Mainly in automated storage systems, served by AGVs (automatic guided vehicles), where efficiency represents a winning key to success, there is a strong need to transport multiple loads at the same time. The application requires the flexibility of handling loads of slightly different dimensions, moving them easily with the least manouvering possible, which would have great impact on handling efficiency. This is where the requirement emerges for a hydraulic attachment, which can handle 3 pallets simultaneously and is supplied with independent sidsifter and fork positioner

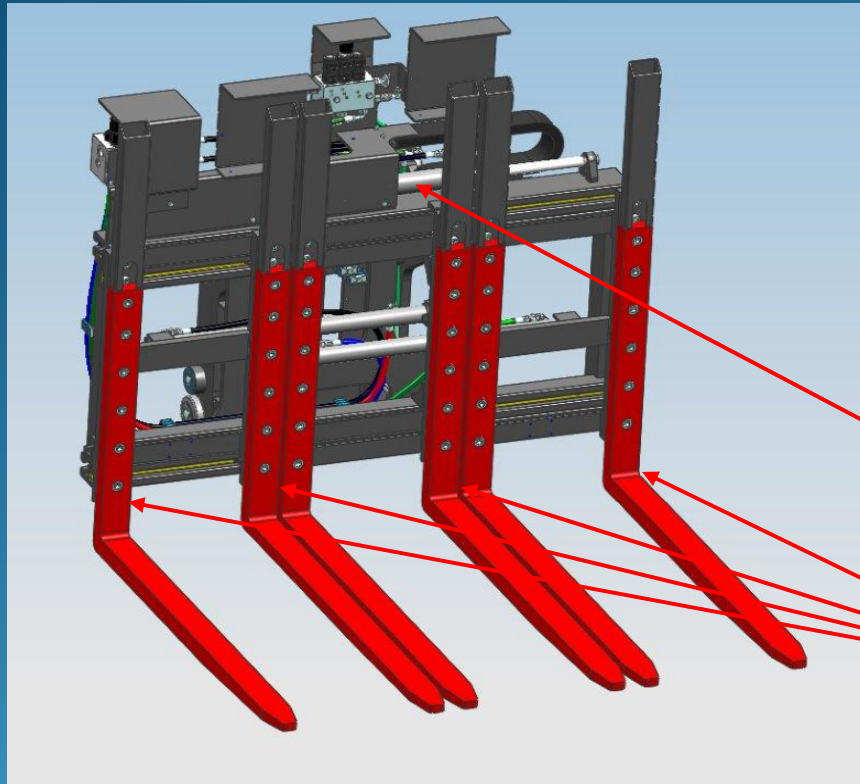


LIFT-TEK ELECAR S.p.A.

Via G. Galilei - 29015 Castel S. Giovanni (PC)

Tel. 0523 843241 – Fax. 0523 881346

Our proposal



Liftek-Elecar is now able to offer an integral attachment called "Tripallet". This can be easily installed into masts of various capacities.

Integral sideshifter

Fork positioner

LIFT-TEK
ELECAR MASTS
Lift Technologies 

 **CALVI** HOLDING S.p.A.

LIFT-TEK ELECAR S.p.A.

Via G. Galilei - 29015 Castel S. Giovanni (PC)

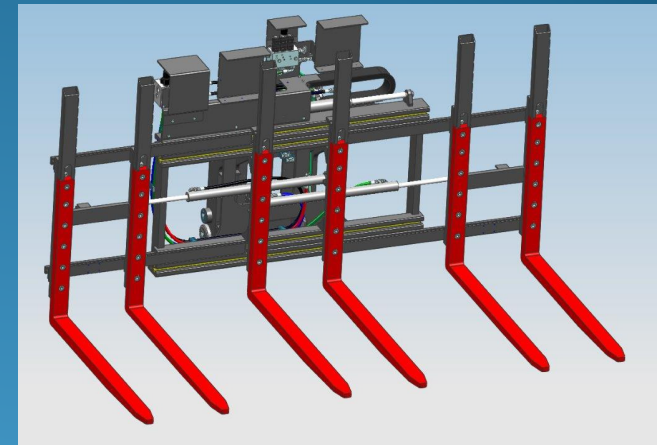
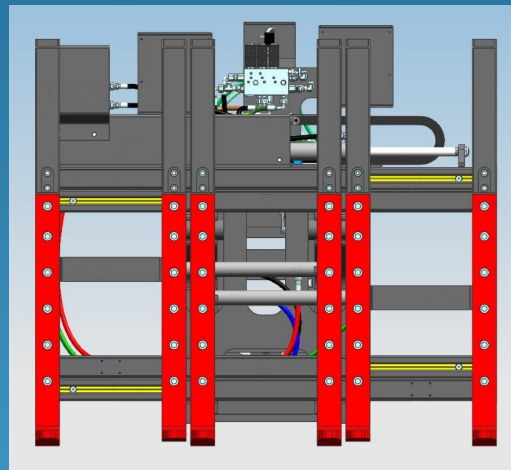
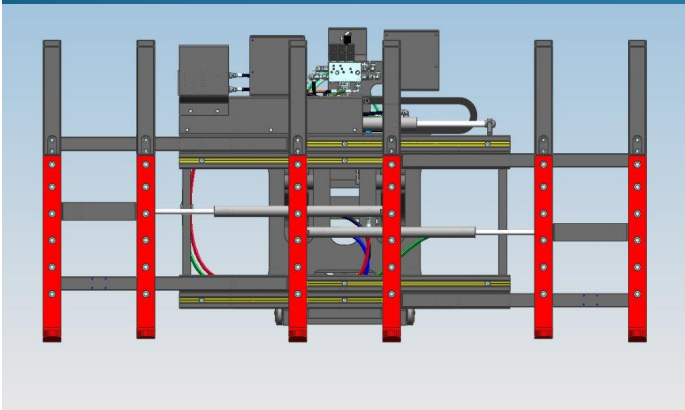
Tel. 0523 843241 – Fax. 0523 881346

Configurations

1. Fork positioner completely extended to handle the load

2. Fork positioner fully closed.

3. Fork positioner fully open.



LIFT-TEK
ELECAR MASTS
Lift Technologies



LIFT-TEK ELECAR S.p.A.

Via G. Galilei - 29015 Castel S. Giovanni (PC)

Tel. 0523 843241 – Fax. 0523 881346