

NEWS

Loads stabilizing EQUIPMENT: Contact pad frame

LIFT-TEK
ELECAR MASTS
Lift Technologies 

 **CALVI** HOLDING S.p.A.

LIFT-TEK ELECAR S.p.A.

Via G. Galilei - 29015 Castel S. Giovanni (PC)

Tel. 0523 843241 – Fax. 0523 881346

Why the need for it?

This equipment is mainly useful when working with AGVs in automated factories, where efficiency is a key factor and therefore there is the need of carrying various loads at the same time and often with separated packages. Once the loads are positioned on the pallet, they become instable during manouvering. It is therefore necessary to keep them in the correct position with a mechanism able to ensure their stability.



LIFT-TEK ELECAR S.p.A.

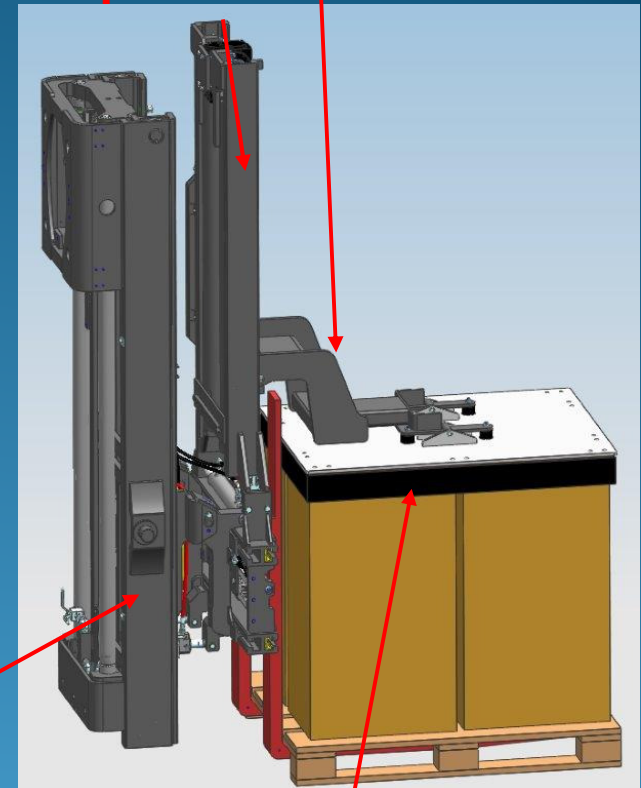
Via G. Galilei - 29015 Castel S. Giovanni (PC)

Tel. 0523 843241 – Fax. 0523 881346

Our proposal

Liftek-Elecar, can now include in their offer a contact pad frame to stabilize the load”. It can easily suit all kinds of load capacity and it is available in the “hooked version” as well as in the “integral” one to be directly mounted on the front of the original mast.

Contact
pad frame



Traditional
mast

Suitable material to avoid
crushing the load

**LIFT-TEK
ELECAR** MASTS
Lift Technologies

CALVI HOLDING S.p.A.

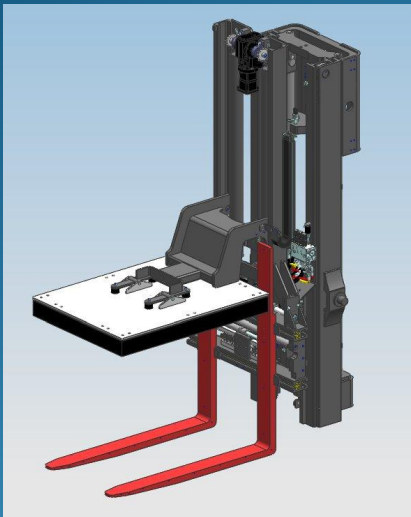
LIFT-TEK ELECAR S.p.A.

Via G. Galilei - 29015 Castel S. Giovanni (PC)

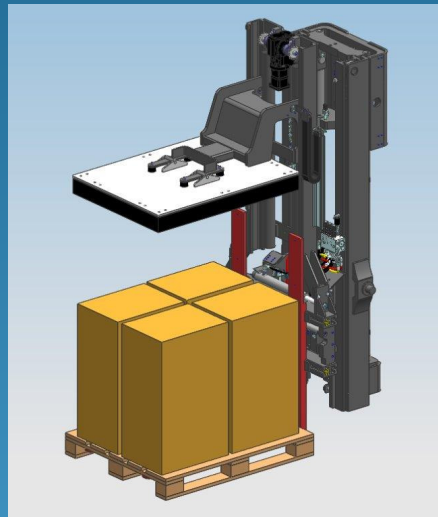
Tel. 0523 843241 – Fax. 0523 881346

How it works

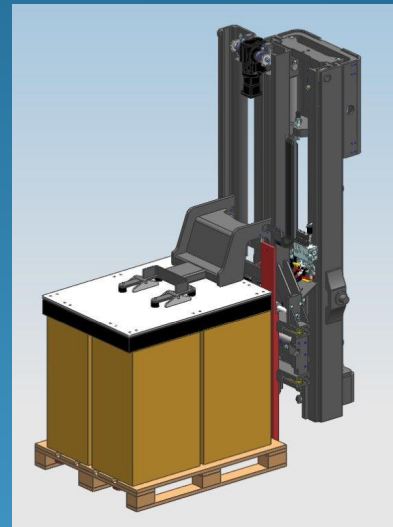
1. Resting phase



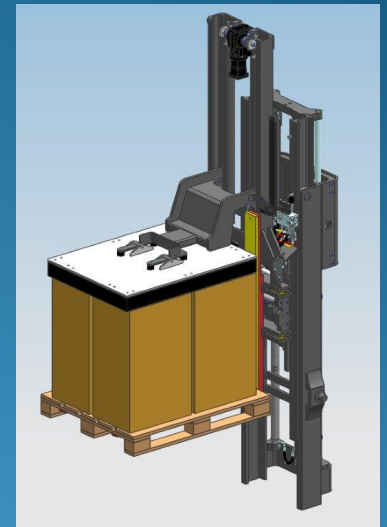
2. Loading phase To note the separated loads



3. Stabilizing phase



4. Transport phase



LIFT-TEK
ELECAR MASTS
Lift Technologies

CALVI HOLDING S.p.A.

LIFT-TEK ELECAR S.p.A.

Via G. Galilei - 29015 Castel S. Giovanni (PC)

Tel. 0523 843241 – Fax. 0523 881346