

**LIFT-TEK**  
**ELECAR** **MASTS**  
*Lift Technologies* 

High visibility solution  
for application within the  
attachment

# REQUIREMENTS

## Mast and attachment

- 6-7 ton Load capacity
- Pin-Type fork positioner
- Integrated Side Shifter
- Pre-drilled for load backrest installation

## HIGH VISIBILITY

- The mast needs to be used and moved intensively also with the carriage in a lifted position, in front of the operator's eyes

Material handling in safety and without any unnecessary parts obstructing the view

High visibility Pin type FORK POSITIONER

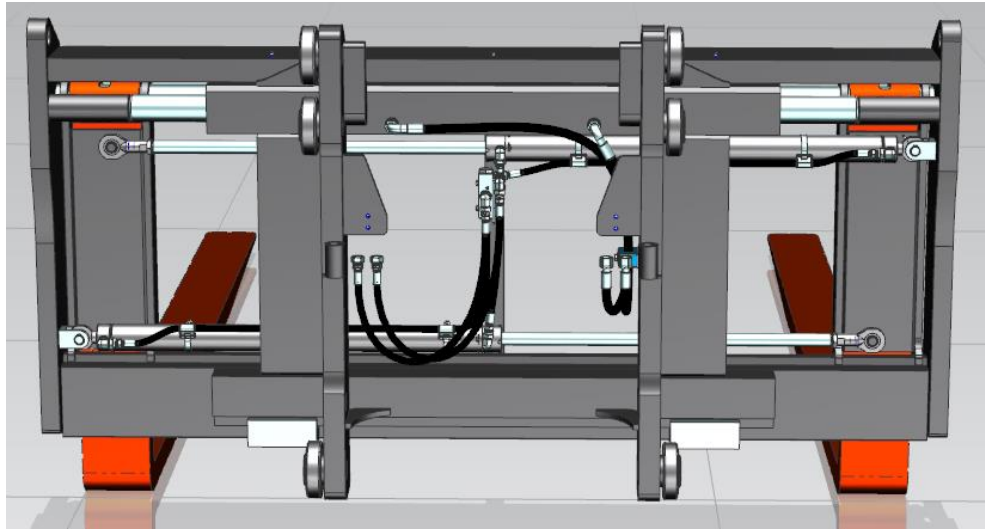


## Specs

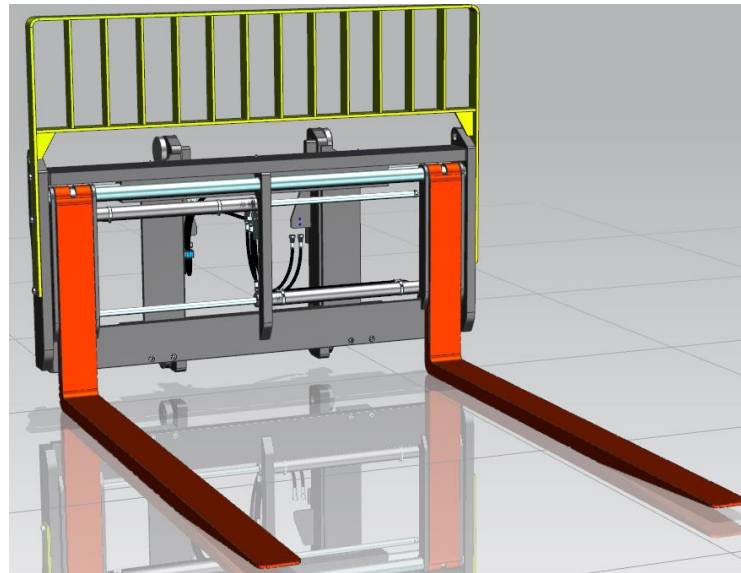
# Our Technical approach



## Design



Requested  
Integrated  
Side Shifter  
and Pin Type  
Fork  
Positioner  
with Fork Carriers



Every component  
is positioned  
to maximise the free  
space and exploit  
frames and cylinders,  
aiming to avoid  
obstructing  
visibility

[Check out our website to have a full overview of our product range and to customise this solution for your requirements]



[www.lift-tekelecar.it/en](http://www.lift-tekelecar.it/en)

---

*The best solution for your masts*

**LIFT-TEK**  
**ELECAR** **MASTS**  
Lift Technologies 