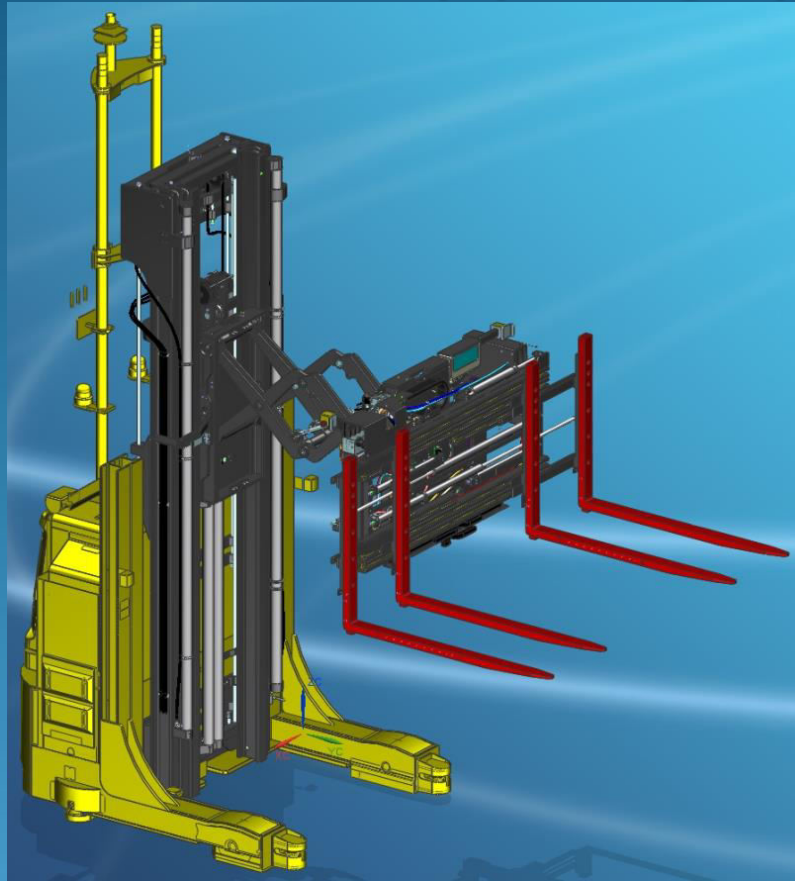


New Completely Integrated Product: F60TV with double deep pantograph



NEWS

LIFT-TEK
ELECAR MASTS
Lift Technologies 

 **CALVI** HOLDING S.p.A.

LIFT-TEK ELECAR S.p.A.

Via G. Galilei - 29015 Castel S. Giovanni (PC)

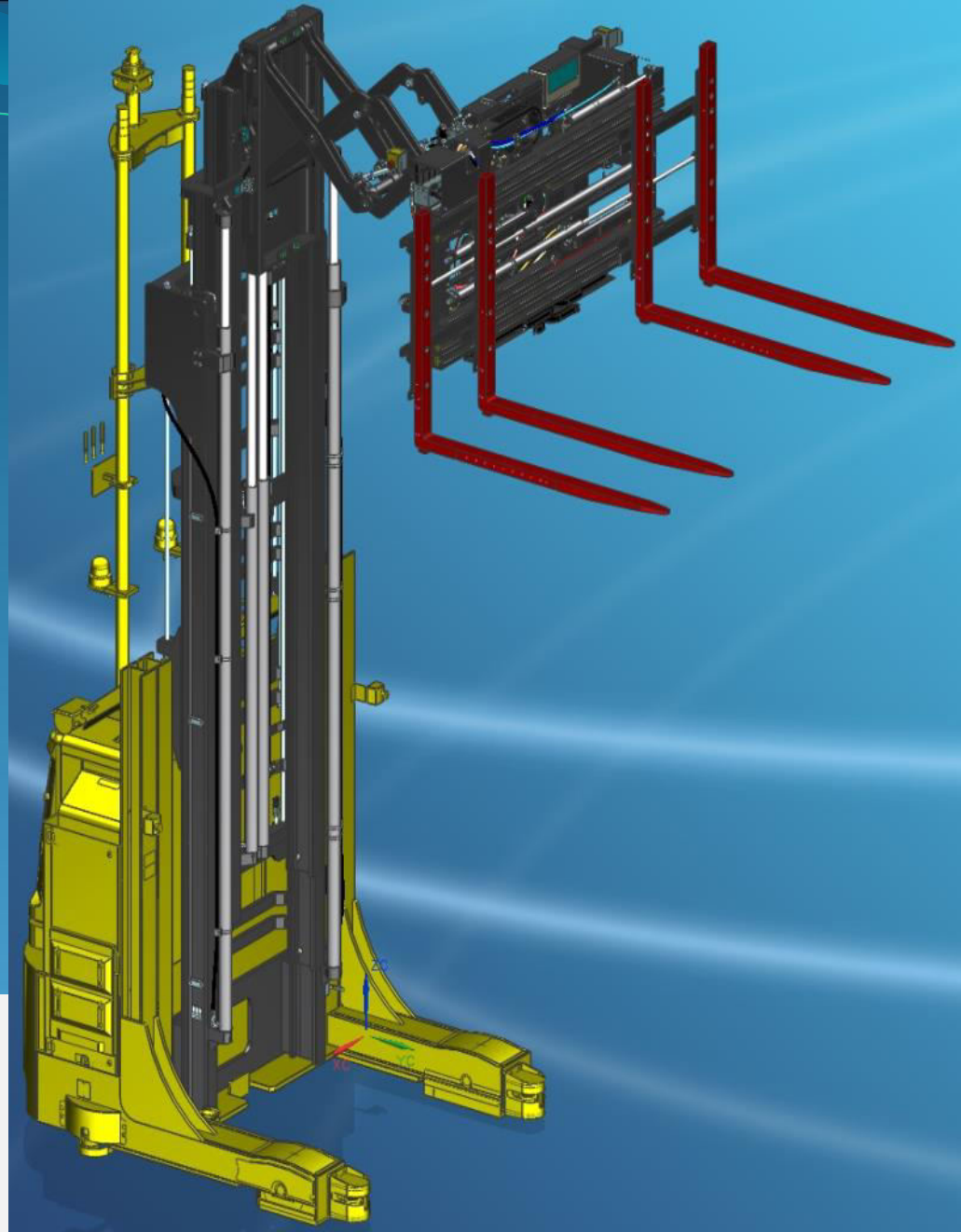
Tel. 0523 843241 – Fax. 0523 881346

Features:

Lift-Tek Elecar loves to test and improve with daily new engineering challenges at always higher levels of complexity, deep knowledge and definition

F6oTV completely integrated with double deep pantograph, double set of telescopic forks, tilting carriage, ISS and fork positioner.

Thanks to its design and to numerous expedients to obtain correct positioning for the many sensors, it can approach the load with optimal precision, gentleness, adaptability to any possible movement and in total autonomy.



LIFT-TEK
ELECAR MASTS
Lift Technologies 

 **CALVI** HOLDING S.p.A.

LIFT-TEK ELECAR S.p.A.

Via G. Galilei - 29015 Castel S. Giovanni (PC)

Tel. 0523 843241 – Fax. 0523 881346

Features:

- three stages with free lift
- Two-fork single-double pallet handler 2000 mm wide
- Vast possibilities of motion combinations (telescopic forks, fork positioner, ISS, tilting carriage, pantograph, main and free lift)
- Example of geometrical features:
 - Lifting height $H_3 = 9600$ mm
 - Closed height $H_1 = 4300$ mm

