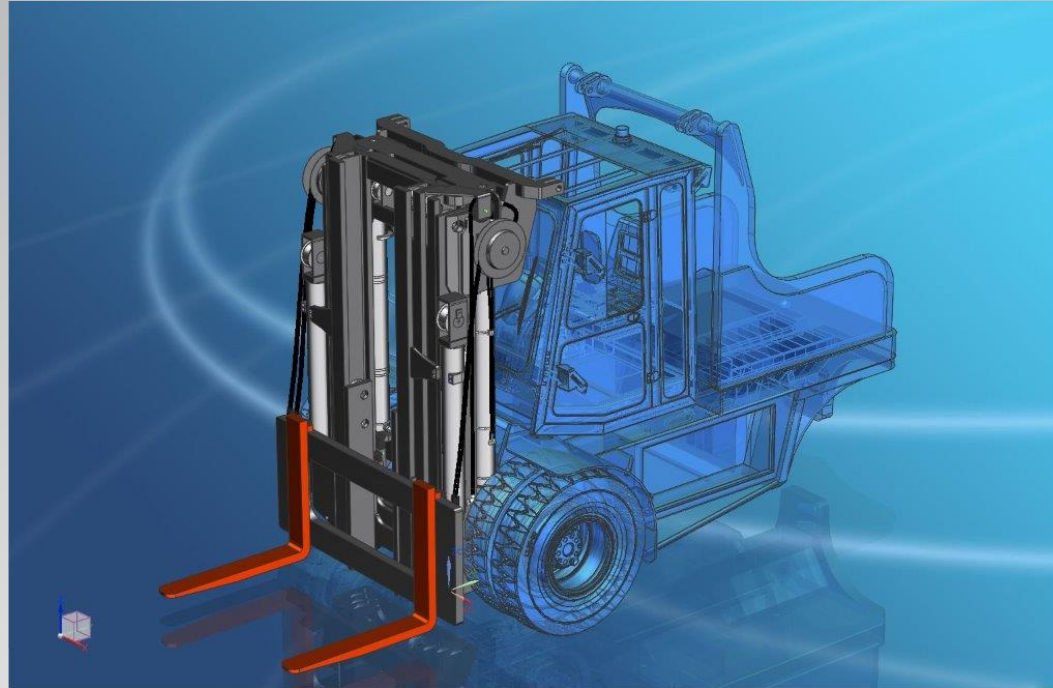


**Very special mast configuration:
4-stage lift mast with 12 tonne capacity
F120 QV**

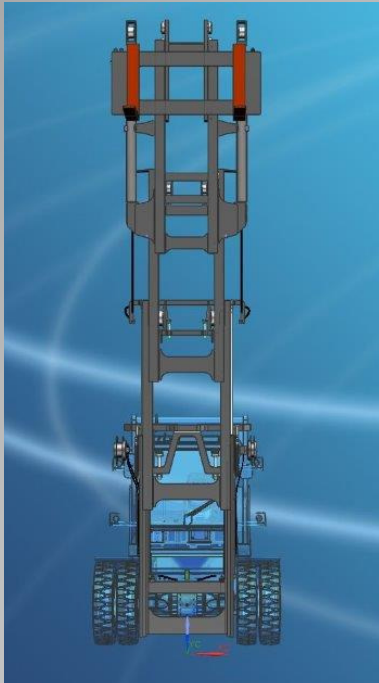


NEWS

- **LIFT-TEK ELECAR S.p.A.**
- Via G. Galilei - 29015 Castel S. Giovanni (PC)
- Tel. 0523 736001 – Fax. 0523 881346



F120 QV



Designing a mast with big capacity and high lift with reduced closed height is the challenge we have won with our newly launched F120QV mast. This innovative mast solution can be added to Lift-Tek Elecar's wide range of big capacity masts representing a true niche in our product portfolio.



- **LIFT-TEK ELECAR S.p.A.**
- Via G. Galilei - 29015 Castel S. Giovanni (PC)
- Tel. 0523 736001 - Fax. 0523 881346



Characteristics



- Great visibility through 4-cylinder mast
- outer free lift cylinders
- view through: 600 mm wide
- Capacity: 12 tonne @ 600 mm
- H3=6700 → H1= 2925
- it can be equipped with any kind of attachment



- **LIFT-TEK ELECAR S.p.A.**
- Via G. Galilei - 29015 Castel S. Giovanni (PC)
- Tel. 0523 736001 – Fax. 0523 881346



Our strenght lies in complying with customization.

For further information please contact us:

<http://www.lift-tekelecar.it/contatti/>

or visit our website:

<http://www.lift-tekelecar.it>



LIFT-TEK ELECAR S.p.A.

Via G. Galilei - 29015 Castel S. Giovanni (PC)

Tel. 0523 736001 - Fax. 0523 881346

