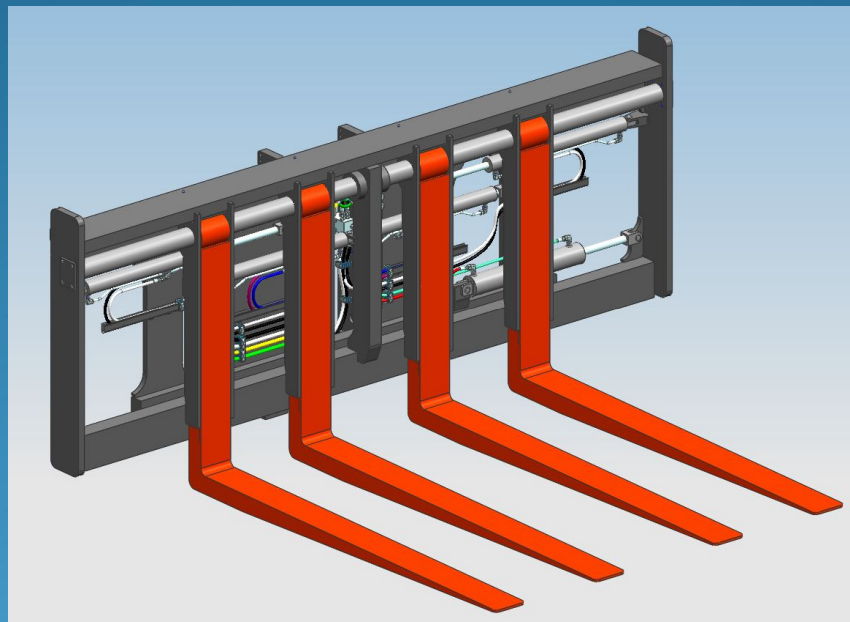


Sideshifting Forkpositioner:

Capacity: 20000kg
complete with 4 forks



NEWS

LIFT-TEK
ELECAR MASTS
Lift Technologies 

 **CALVI** HOLDING S.p.A.

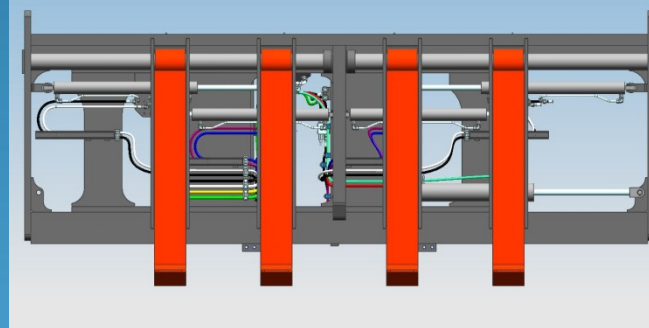
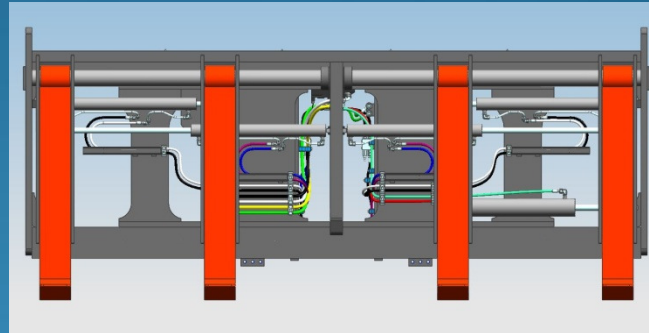
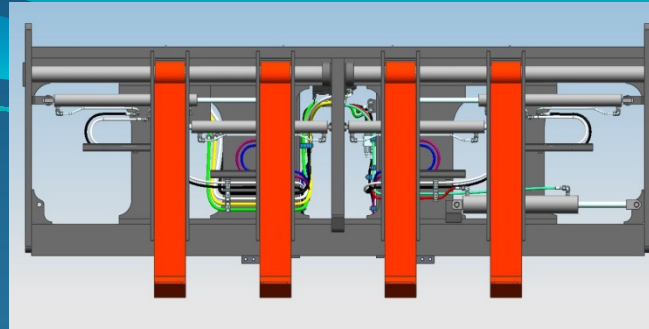
LIFT-TEK ELECAR S.p.A.

Via G. Galilei - 29015 Castel S. Giovanni (PC)

Tel. 0523 843241 – Fax. 0523 881346

Characteristics:

- Width: 4000 mm
- Capacity: 20000kg @ 1200 mm
- Side movement
- Simultaneous fork positioning



LIFT-TEK
ELECAR MASTS
Lift Technologies

 **CALVI** HOLDING S.p.A.

LIFT-TEK ELECAR S.p.A.

Via G. Galilei - 29015 Castel S. Giovanni (PC)

Tel. 0523 843241 – Fax. 0523 881346