

**OUR ADD ON VALUE IS
OUR CO-DESIGN ACTIVITY
WITH OUR CUSTOMERS**



LIFT-TEK ELECAR S.p.A.

Via G. Galilei - 29015 Castel S. Giovanni (PC)

Tel. 0523 843241 – Fax. 0523 881346

One fundamental aspect of Lift-tek Elecar mast projecting is our co-design activity with our customers, which means to say our customers have an initial input as to their design requirements. As a result of collaboration and interacting with them with suggestions and technical support as to the design of the mast assembly thus to prevent issues occurring in the assembling phase and to the performance of the mast in the market. Do not hesitate to share your ideas with us, when still in the 'concept' phase, to obtain our best suggestions!



LIFT-TEK ELECAR S.p.A.

Via G. Galilei - 29015 Castel S. Giovanni (PC)

Tel. 0523 843241 – Fax. 0523 881346

Thanks to our co-design activity we are able to meet our customers' needs obtaining the best solutions by working with one another and producing a personalised product, which matches with our customers expectations.

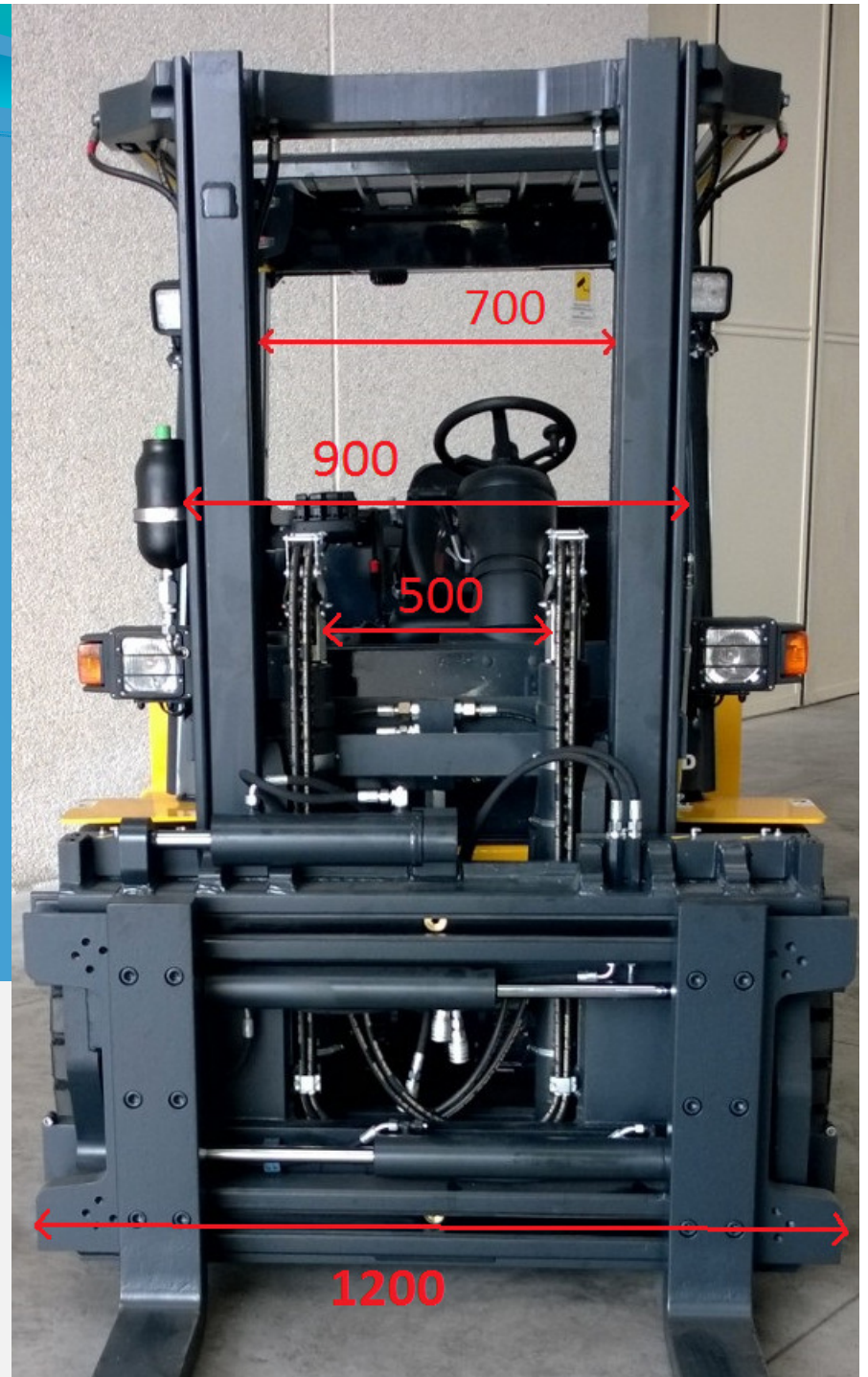


LIFT-TEK ELECAR S.p.A.

Via G. Galilei - 29015 Castel S. Giovanni (PC)

Tel. 0523 843241 – Fax. 0523 881346

As an example please have a look at the 7 ton two stage full free lift mast to the side. The result is: significant wide mast width and high frontal visibility for the operator, obtained thanks to a close collaboration and a dense exchange of information and suggestions.



LIFT-TEK
ELECAR MASTS
Lift Technologies

 **CALVI** HOLDING S.p.A.

LIFT-TEK ELECAR S.p.A.

Via G. Galilei - 29015 Castel S. Giovanni (PC)

Tel. 0523 843241 – Fax. 0523 881346